



# MODURDRILL

MODULAR RUSH

**Sistema modulare per svariati  
diametri e profondità di foratura**



✓ Soluzione economica  
con sistema  
modulare



✓ Design con due  
denti per alta  
produttività



✓ Ottima precisione e  
rettilinearità del foro



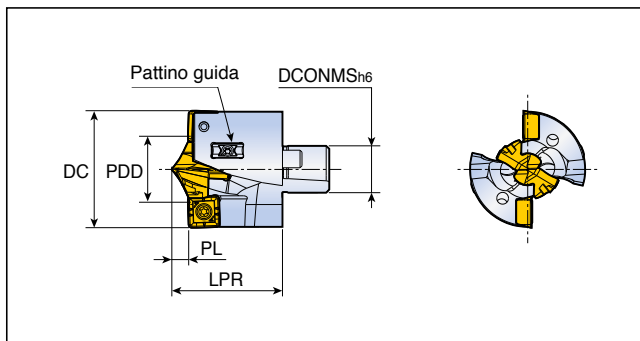
✓ Sistema modulare  
di facile utilizzo



✓ Ottima evacuazione truciolo



## Testa di foratura modulare



Descrizione	Dimensioni (mm)					Chiave di bloccaggio	Inserto	
	DC	DCONMS	LPR	PL	PDD		Centro	Esterno
<b>TNDH 2600-C26-TP</b>	26	10.4	24.94	3.98	15.9	K TCD D15-CO	TCD-159-P-CO+	SPGX 06...DW
<b>2700-C26-TP</b>	27	10.4	25.35	4.14	16.9	K TCD D16-CO	TCD-169-P-CO+	SPGX 06...DW
<b>2800-C28-TP</b>	28	11.2	26.86	4.29	17.9	K TCD D17-CO	TCD-179-P-CO+	SPGX 06...DW
<b>2900-C28-TP</b>	29	11.2	26.58	3.97	15.9	K TCD D15-CO	TCD-159-P-CO+	SPGX 07...DW
<b>3000-C30-TP</b>	30	12.0	28.34	4.14	16.9	K TCD D16-CO	TCD-169-P-CO+	SPGX 07...DW
<b>3100-C30-TP</b>	31	12.0	28.51	4.30	17.9	K TCD D17-CO	TCD-179-P-CO+	SPGX 07...DW
<b>3200-C32-TP</b>	32	12.8	30.27	4.46	18.9	K TCD D18-CO	TCD-189-P-CO+	SPGX 07...DW
<b>3300-C32-TP</b>	33	12.8	29.84	3.97	15.9	K TCD D15-CO	TCD-159-P-CO+	SPGX 09...DW
<b>3400-C34-TP</b>	34	13.6	31.60	4.14	16.9	K TCD D16-CO	TCD-169-P-CO+	SPGX 09...DW
<b>3500-C34-TP</b>	35	13.6	31.76	4.30	17.9	K TCD D17-CO	TCD-179-P-CO+	SPGX 09...DW
<b>3600-C36-TP</b>	36	14.4	33.52	4.46	18.9	K TCD D18-CO	TCD-189-P-CO+	SPGX 09...DW
<b>3700-C36-TP</b>	37	14.4	33.26	4.14	16.9	K TCD D16-CO	TCD-169-P-CO+	SPGX 11...DW
<b>3800-C38-TP</b>	38	15.2	35.01	4.30	17.9	K TCD D17-CO	TCD-179-P-CO+	SPGX 11...DW
<b>3900-C38-TP</b>	39	15.2	35.18	4.46	18.9	K TCD D18-CO	TCD-189-P-CO+	SPGX 11...DW
<b>4000-C40-TP</b>	40	16.0	36.94	4.62	19.9	K TCD D19-CO	TCD-199-P-CO+	SPGX 11...DW
<b>4100-C40-TP</b>	41	16.0	37.10	4.78	20.9	K TCD D20-CO	TCD-209-P-CO+	SPGX 11...DW
<b>4200-C42-TP</b>	42	16.8	38.87	4.95	21.9	K TCD D21-CO	TCD-219-P-CO+	SPGX 11...DW
<b>4300-C42-TP</b>	43	16.8	38.93	5.11	22.9	K TCD D22-CO	TCD-229-P-CO+	SPGX 11...DW
<b>4400-C44-TP</b>	44	17.6	40.80	5.28	23.9	K TCD D23-CO	TCD-239-P-CO+	SPGX 11...DW
<b>4500-C44-TP</b>	45	17.6	40.96	5.44	24.9	K TCD D24-CO	TCD-249-P-CO+	SPGX 11...DW
<b>4600-C46-TP</b>	46	18.4	42.16	4.95	21.9	K TCD D21-CO	TCD-219-P-CO+	SPGX 14...DW
<b>4700-C46-TP</b>	47	18.4	42.32	5.11	22.9	K TCD D22-CO	TCD-229-P-CO+	SPGX 14...DW
<b>4800-C48-TP</b>	48	19.2	43.95	5.28	23.9	K TCD D23-CO	TCD-239-P-CO+	SPGX 14...DW
<b>4900-C48-TP</b>	49	19.2	44.26	5.44	24.9	K TCD D24-CO	TCD-249-P-CO+	SPGX 14...DW
<b>5000-C48-TP</b>	50	19.2	46.02	5.61	25.9	K TCD D25-CO	TCD-259-P-CO+	SPGX 14...DW

• DCONMS: Misura sede attacco testa-corpo

## Ricambi

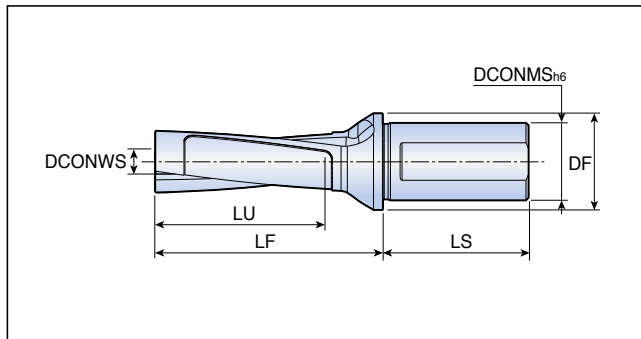
Descrizione	Per vite doppio passo		Per SPGX		Per pattino		Chiave
	Vite1	Chiave1	Vite2	Chiave2	Vite3	Chiave3	
<b>TNDH 2600-2800</b>	TDPS 0512-W2.0	F-W2.0	TS 22052I/HG	TD 7	TS 20043I/HG-P	TD 6P	HEX W2.5x260
<b>TNDH 2900-3200</b>	TDPS 0512-W2.0	F-W2.0	TS 25064I	TD 8	TS 20043I/HG-P	TD 6P	HEX W2.5x260
<b>TNDH 3300-3500</b>	TDPS 0512-W2.0	F-W2.0	TS 35088I	TD 10	TS 20043I/HG-P	TD 6P	HEX W2.5x260
<b>TNDH 3600</b>	TDPS 0618-W2.5	F-W2.5	TS 35088I	TD 10	TS 20043I/HG-P	TD 6P	HEX W3.0x300
<b>TNDH 3700-4300</b>	TDPS 0618-W2.5	F-W2.5	TS 40093I	TD 15	TS 20043I/HG-P	TD 6P	HEX W3.0x300
<b>TNDH 4400-4500</b>	TDPS 0722-W3.0	F-W3.0	TS 40093I	TD 15	TS 20043I/HG-P	TD 6P	HEX W4.0x340
<b>TNDH 4600-5000</b>	TDPS 0722-W3.0	F-W3.0	SO 50090I	TD 20	TS 20043I/HG-P	TD 6P	HEX W4.0x340

# MDB...T2-3/5

## Corpi punta modulari - Attacco Weldon



- Profondità di foratura: 3, 5xD



### 3xD

Descrizione	Dimensioni (mm)						
	DC	DCONMS	DF	LU	LF	LS	DCONWS
<b>MDB D26/27-081-32T2-C26-3</b>	26-27	32	40	60	94.3	60	10.4
<b>D28/29-087-32T2-C28-3</b>	28-29	32	40	64	100.5	60	11.2
<b>D30/31-093-32T2-C30-3</b>	30-31	32	40	69	105.5	60	12.0
<b>D32/33-099-32T2-C32-3</b>	32-33	32	40	73	111.7	60	12.8
<b>D34/35-105-40T2-C34-3</b>	34-35	40	50	78	120.2	68	13.6
<b>D36/37-111-40T2-C36-3</b>	36-37	40	50	82	126.5	68	14.4
<b>D38/39-117-40T2-C38-3</b>	38-39	40	50	86	131.4	68	15.2
<b>D40/41-123-40T2-C40-3</b>	40-41	40	50	91	137.6	68	16.0
<b>D42/43-129-40T2-C42-3</b>	42-43	40	50	95	143.8	68	16.8
<b>D44/45-135-40T2-C44-3</b>	44-45	40	50	99	150.0	68	17.6
<b>D46/47-141-50T2-C46-3</b>	46-47	50	60	104	154.5	80	18.4
<b>D48/50-150-50T2-C48-3</b>	48-50	50	60	111	160.9	80	19.2

### 5xD

Descrizione	Dimensioni (mm)						
	DC	DCONMS	DF	LU	LF	LS	DCONWS
<b>MDB D26/27-135-32T2-C26-5</b>	26-27	32	40	114	148.3	60	10.4
<b>D28/29-145-32T2-C28-5</b>	28-29	32	40	122	158.5	60	11.2
<b>D30/31-155-32T2-C30-5</b>	30-31	32	40	131	167.5	60	12.0
<b>D32/33-165-32T2-C32-5</b>	32-33	32	40	139	177.7	60	12.8
<b>D34/35-175-40T2-C34-5</b>	34-35	40	50	148	190.2	68	13.6
<b>D36/37-185-40T2-C36-5</b>	36-37	40	50	156	200.5	68	14.4
<b>D38/39-195-40T2-C38-5</b>	38-39	40	50	164	209.4	68	15.2
<b>D40/41-205-40T2-C40-5</b>	40-41	40	50	173	219.6	68	16.0
<b>D42/43-215-40T2-C42-5</b>	42-43	40	50	181	229.8	68	16.8
<b>D44/45-225-40T2-C44-5</b>	44-45	40	50	189	240.0	68	17.6
<b>D46/47-235-50T2-C46-5</b>	46-47	50	60	198	248.5	80	18.4
<b>D48/50-250-50T2-C48-5</b>	48-50	50	60	211	258.9	80	19.2

- DC : Gamma diametri D
- DCONWS : Misura sede attacco testa-corpo

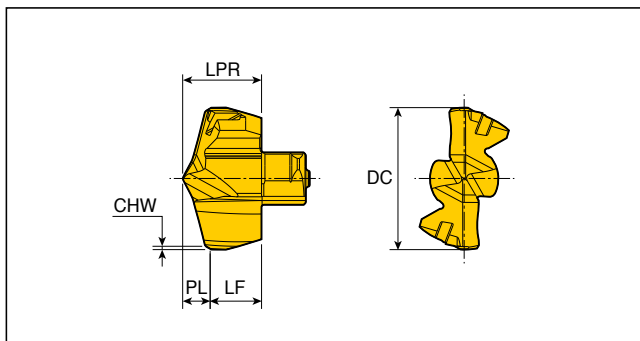
## Ricambi

Descrizione	Chiave		Maniglia per chiave
	3xD	5xD	
<b>MDB D26/27-D34/35</b>	BLD H-W2.5x210	BLD H-W2.5x280	SW6-T-SH
<b>MDB D36/37-D42/43</b>	BLD H-W3.0x225	BLD H-W3.0x310	
<b>MDB D44/45-D48/50</b>	BLD H-W4.0x255	BLD H-W4.0x350	

- Chiave : per assemblare testa modulare con corpo punta modulare (va inserita dalla parte posteriore "gambo")

# TCD...P-CO+

Cuspide autocentrante



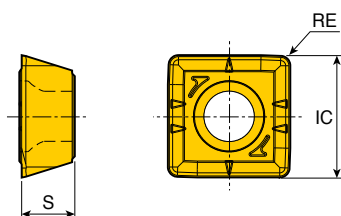
Descrizione	Dimensioni (mm)						Grado TT9080
	DC	LPR	PL	LF	CHW	SSC	
<b>TCD-159-P-CO+</b>	15.9	8.73	3.17	5.56	0.38	15	●
<b>169-P-CO+</b>	16.9	9.30	3.34	5.96	0.38	16	●
<b>179-P-CO+</b>	17.9	9.90	3.50	6.40	0.38	17	●
<b>189-P-CO+</b>	18.9	10.50	3.66	6.84	0.38	18	●
<b>199-P-CO+</b>	19.9	11.00	3.82	7.18	0.38	19	●
<b>209-P-CO+</b>	20.9	11.60	3.98	7.62	0.38	20	●
<b>219-P-CO+</b>	21.9	12.18	4.15	8.03	0.38	21	●
<b>229-P-CO+</b>	22.9	12.76	4.31	8.45	0.38	22	●
<b>239-P-CO+</b>	23.9	13.33	4.48	8.85	0.38	23	●
<b>249-P-CO+</b>	24.9	13.90	4.64	9.26	0.38	24	●
<b>259-P-CO+</b>	25.9	14.50	4.81	9.69	0.38	25	●

● SSC : Misura sede cuspide

● Standard

# SPGX...DW

Inserti



Misura	Dimensioni (mm)			
	IC	S	RE	
<b>06</b>	6.07	2.38	0.4	
<b>07</b>	8.02	3.97	0.8	
<b>09</b>	9.91	4.30	0.8	
<b>11</b>	11.62	4.80	0.8	
<b>14</b>	14.41	5.20	1.2	

Inserto	Descrizione	Rivestito						Non rivestito
		TT9080	TT8020	TT9300	TT9030	TT6030	TT7400	
	<b>SPGX 060204 DW</b>	●						K10
	<b>07T308 DW</b>	●						
	<b>090408 DW</b>	●						
	<b>110408 DW</b>	●						
	<b>140512 DW</b>	●						

● Standard